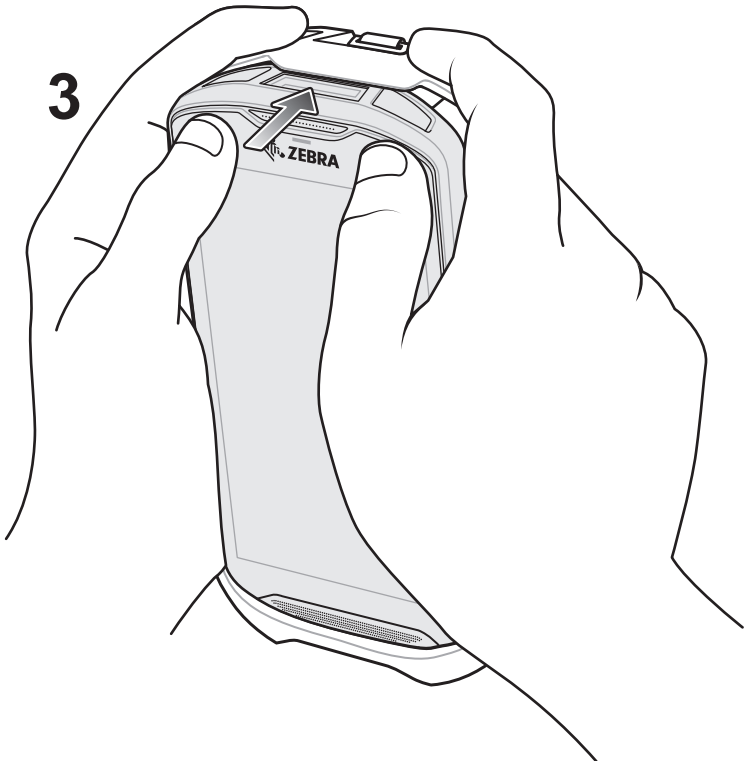
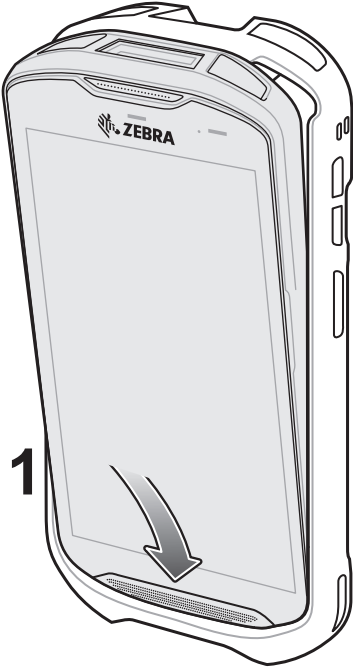
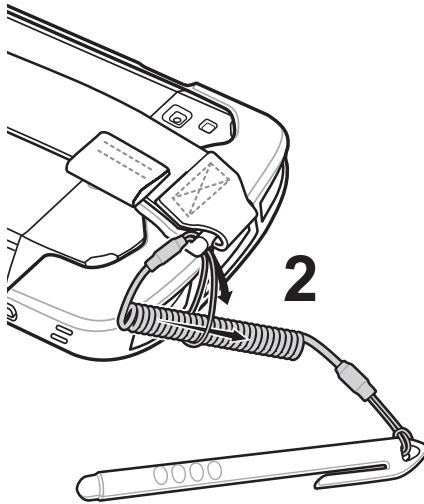
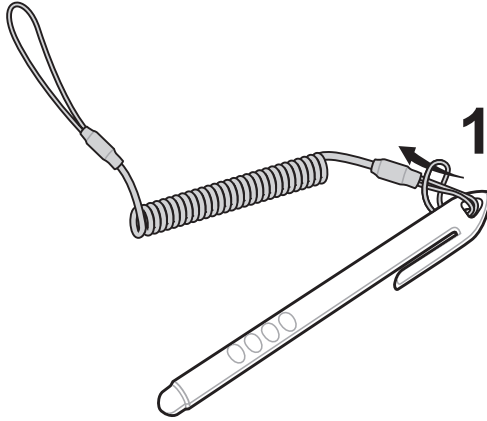


TC51/TC56 Rugged Boot Installation Guide



Optional Stylus Installation



Zebra Technologies Corporation
Lincolnshire, IL U.S.A.

Zebra and the stylized Zebra head are trademarks of ZIH Corp., registered in many jurisdictions worldwide. All other trademarks are the property of their respective owners.

© 2016 Symbol Technologies LLC, a subsidiary of Zebra Technologies Corporation. All rights reserved.

