

# ALGIZ RT8

## QUICK START GUIDE

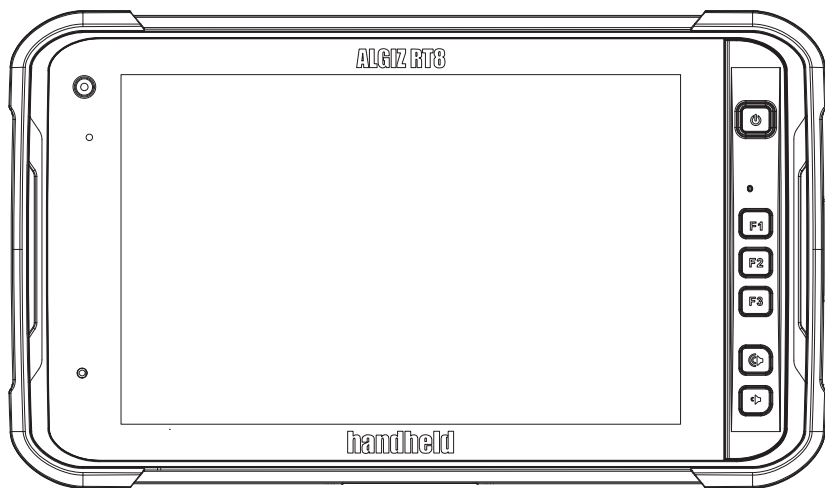


**BSR idware GmbH**  
Jakob-Haringer-Str.3  
A-5020 Salzburg  
<https://www.bsr.at>  
[sales@bsr.at](mailto:sales@bsr.at)

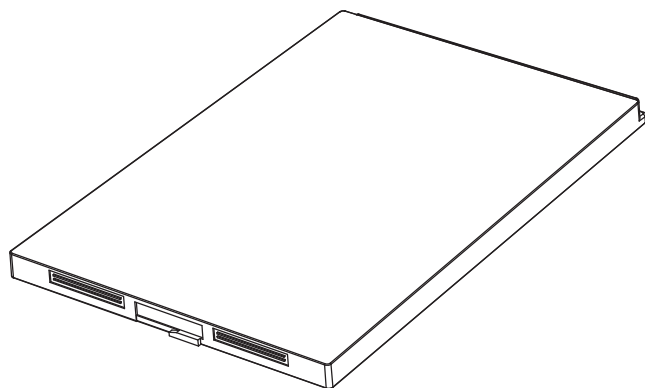


**handheld**

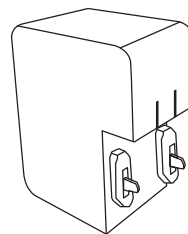
# ① WHAT'S IN THE BOX



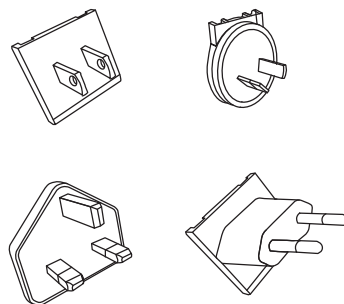
ALGIZ RT8 Main body



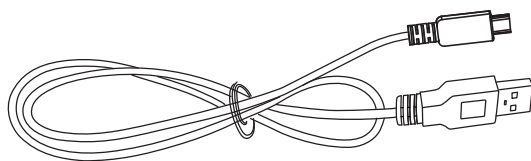
Standard battery



Charging adaptor

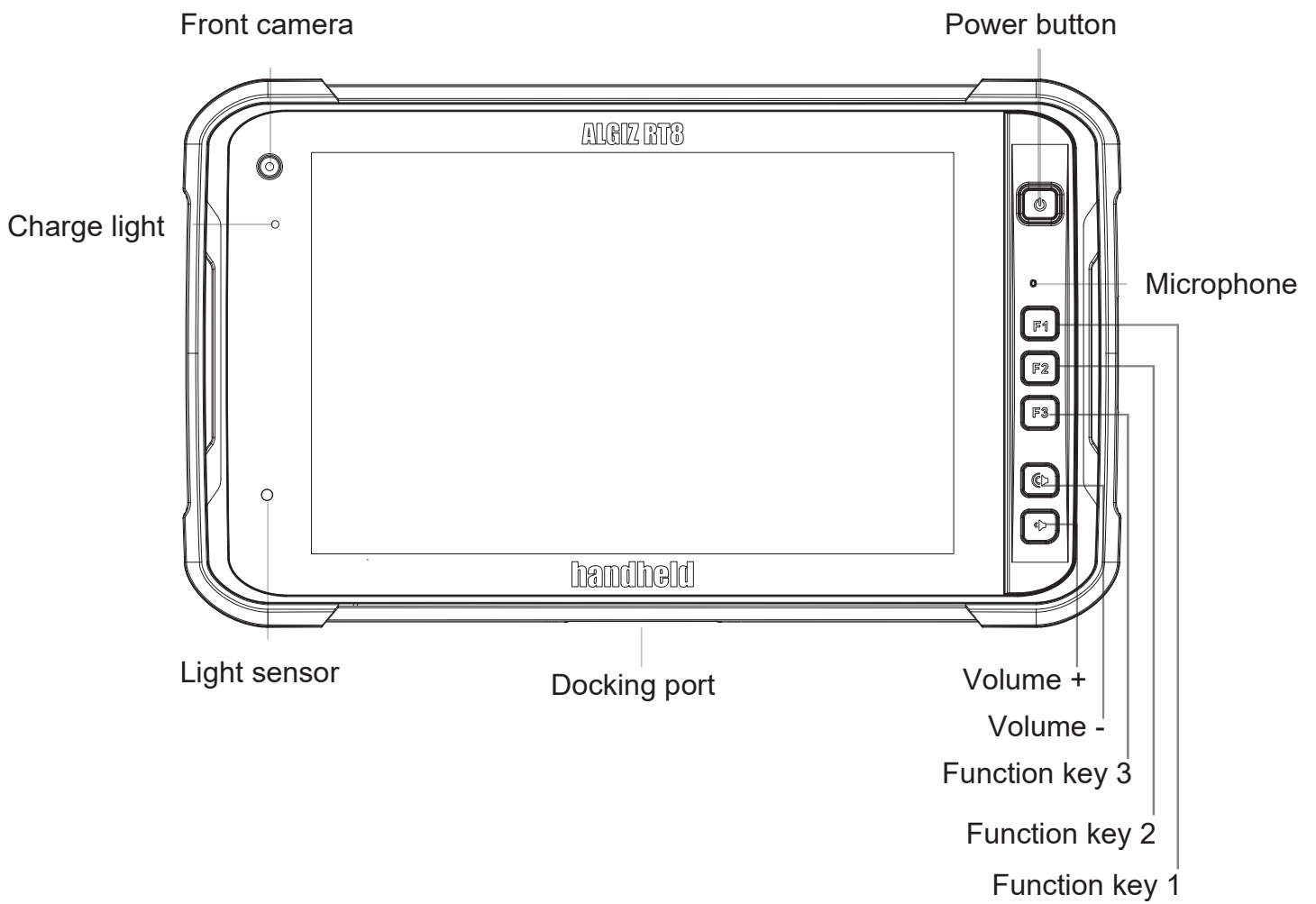


Converter plugs

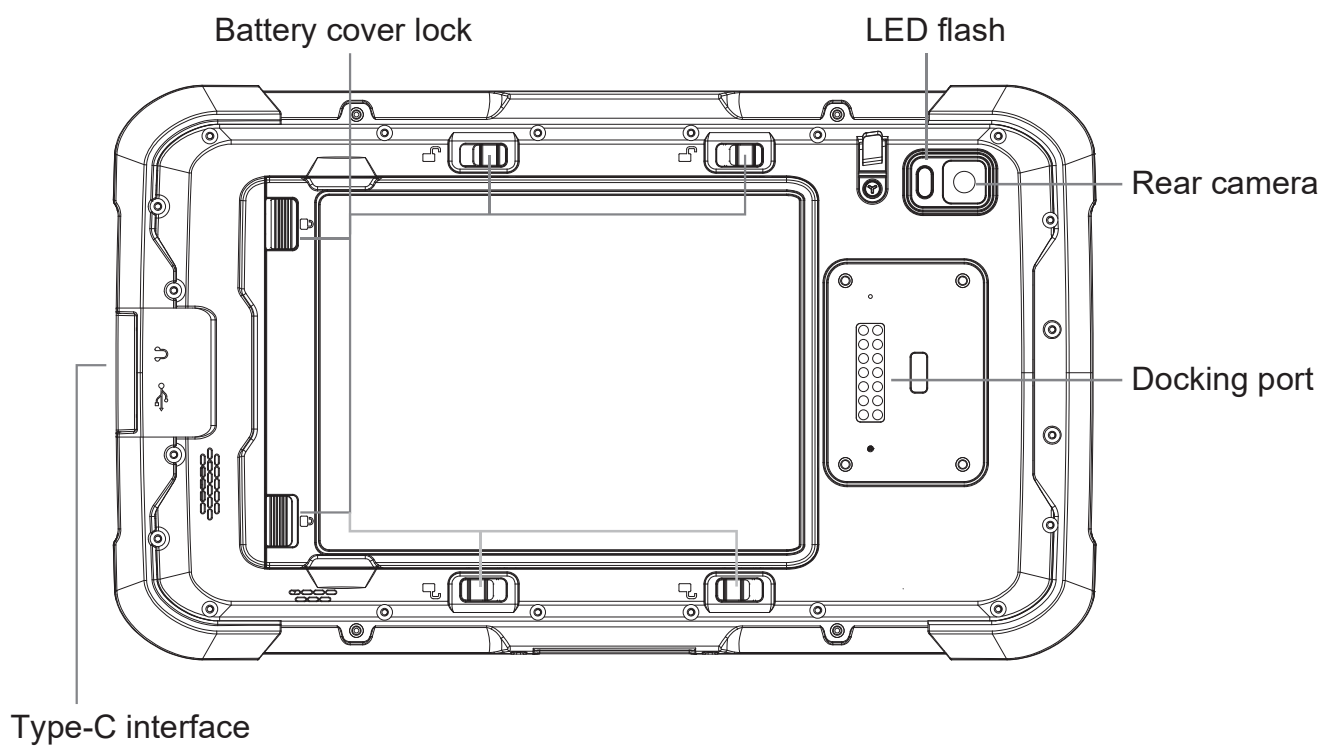


Type-C cable

## ② YOUR ALGIZ RT8

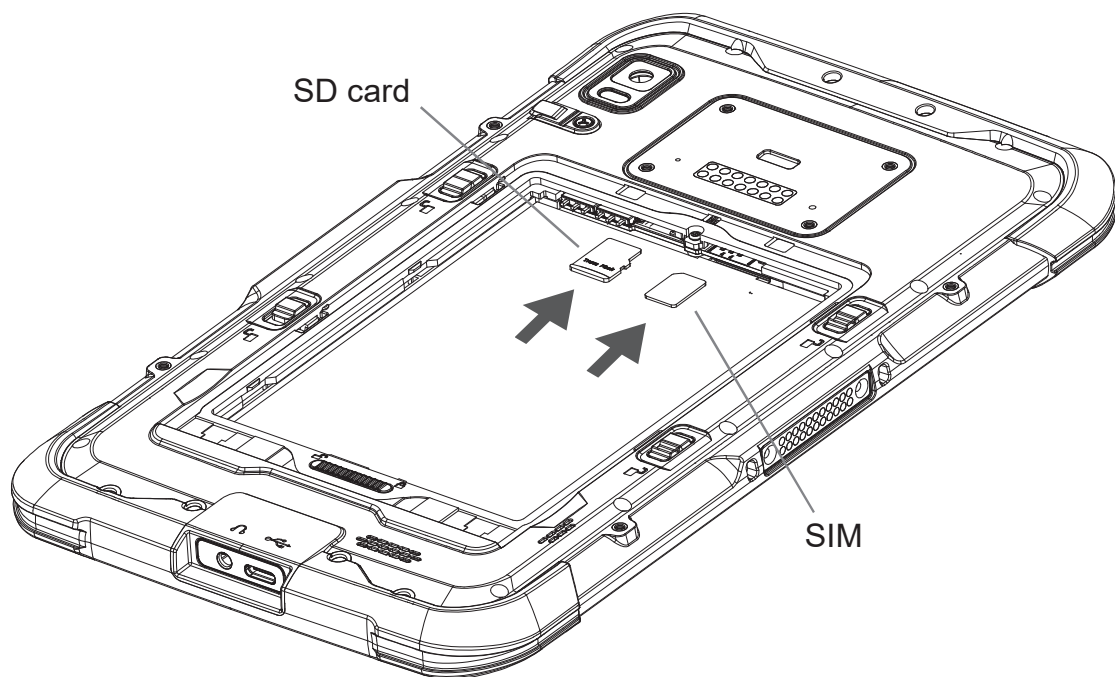


### ③ YOUR ALGIZ RT8



## ④ SIM/MICRO SD CARD

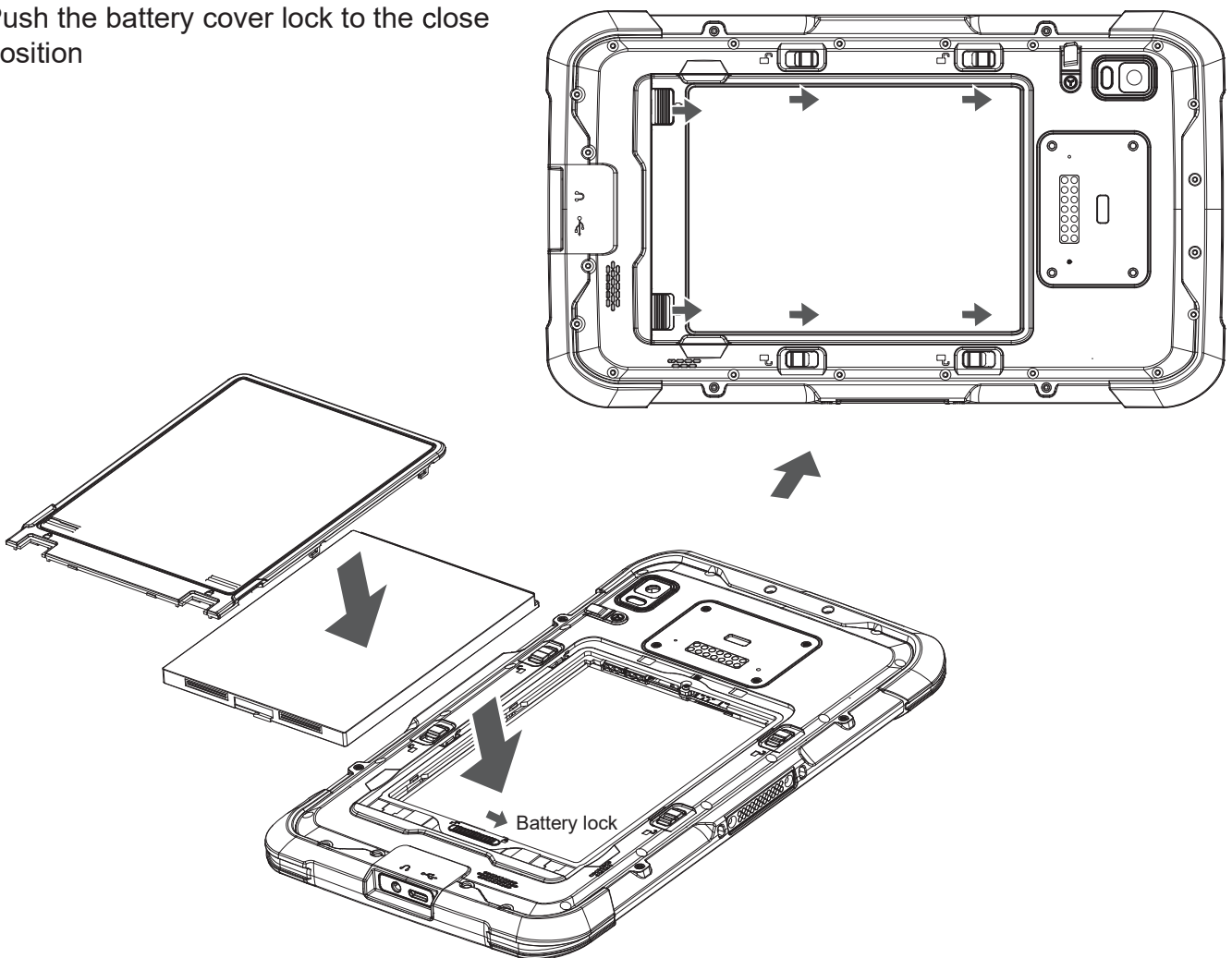
This is how you insert and remove the Nano SIM/micro SD.



## ⑤ INSERT BATTERY

### To insert the battery

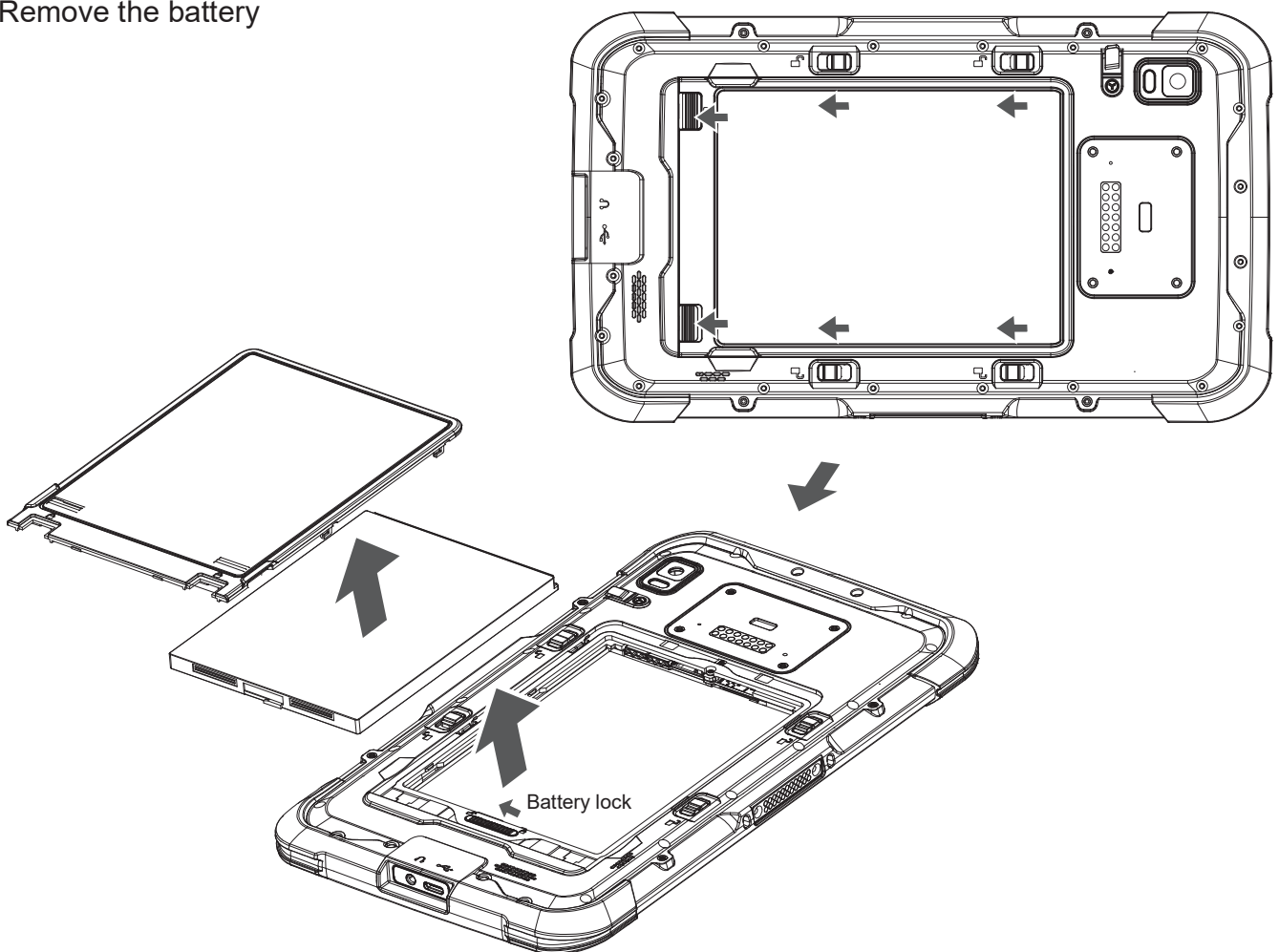
1. Insert the battery
2. Push the battery lock to the close position
3. Attach the battery cover
4. Push the battery cover lock to the close position



## ⑥ REMOVE BATTERY

### To remove the battery

1. Power off the device before removing the battery
2. Push the battery cover lock to the open position
3. Detach the battery cover
4. Push the battery lock to the open position
5. Remove the battery



Please go to [www.handheldgroup.com/knowledgebase](http://www.handheldgroup.com/knowledgebase) to download more information.

Google, Android, Google Play and other marks are trademarks of Google LLC;  
Pie is a trademark of Mondelez International, Inc. Group.



**BSR idware GmbH**

Jakob-Haringer-Str.3

A-5020 Salzburg

<https://www.bsr.at>

[sales@bsr.at](mailto:sales@bsr.at)

Version 1.0

**handheld**

[www.handheldgroup.com](http://www.handheldgroup.com)