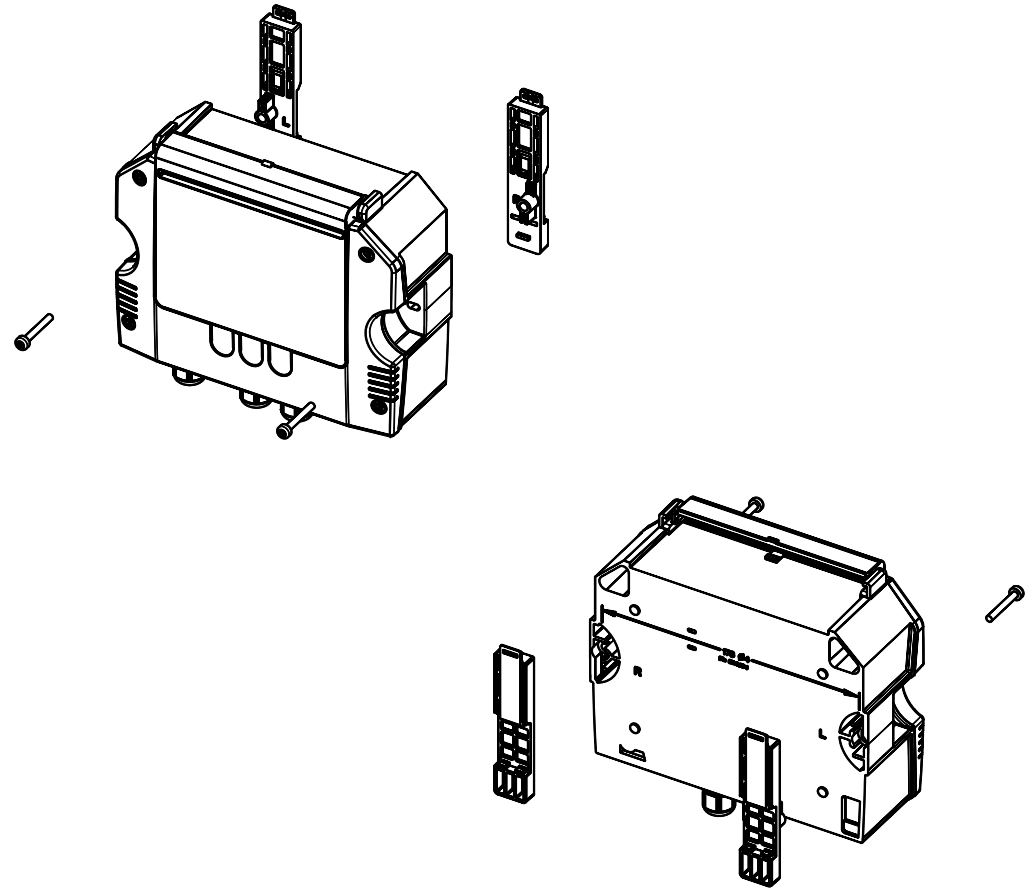


## BA100

### DIN RAIL MOUNTING ADAPTER KIT INSTRUCTION MANUAL



**BSR idware GmbH**  
Jakob-Haringer-Str.3  
A-5020 Salzburg  
Web: [www.bsr.at](http://www.bsr.at)

1. Attach the DIN Rail adapters to the back of the CBX or SC paying attention to the Left (L) and Right (R) markings.
2. Insert and tighten the screws.
3. Snap the assembly onto the DIN Rails.

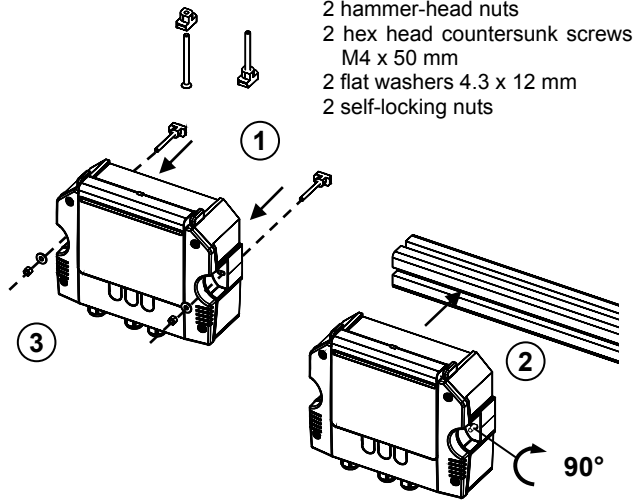
## BA200

### FRAME MOUNTING ADAPTER KIT INSTRUCTION MANUAL

#### For Bosch Frames

##### CBX Connection Boxes or SC Controllers

1. Assemble the hammer-head nuts and hex head countersunk screws to form the two bolts and insert them behind the CBX or SC.
2. Place the assembly onto the Bosch profile so that the bolts enter the profile channel and then rotate the bolts **clockwise** 90° so that they lock into place.
3. Install the two small diameter flat washers and fasten the two self-locking nuts until tight.



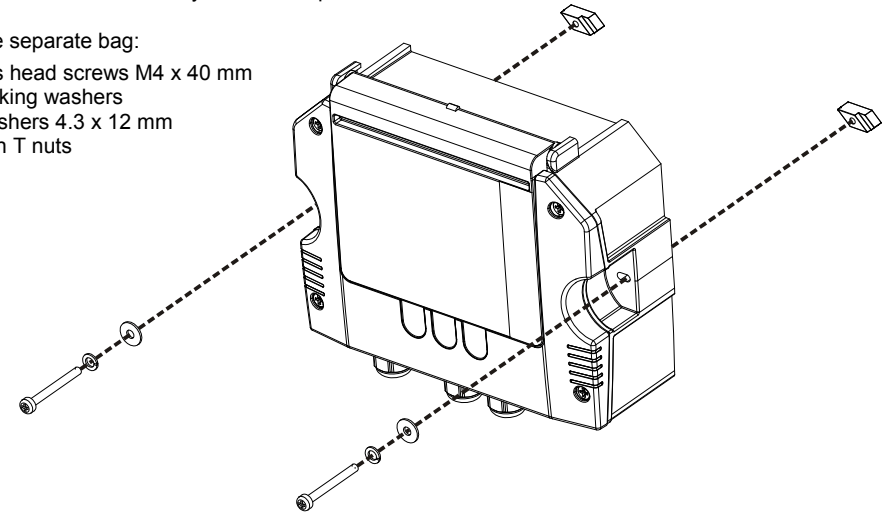
2 hammer-head nuts  
2 hex head countersunk screws  
M4 x 50 mm  
2 flat washers 4.3 x 12 mm  
2 self-locking nuts

#### For 80/20 Frames

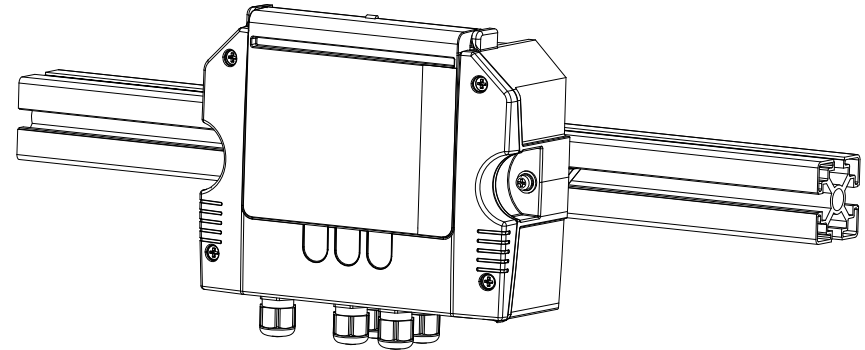
##### CBX Connection Boxes or SC Controllers

1. Insert the screws, locking washers and small flat washers through the connection box as shown in the figure and thread them loosely into the Drop-In T-nuts.

From the separate bag:  
2 Phillips head screws M4 x 40 mm  
2 M4 locking washers  
2 flat washers 4.3 x 12 mm  
2 Drop-In T nuts

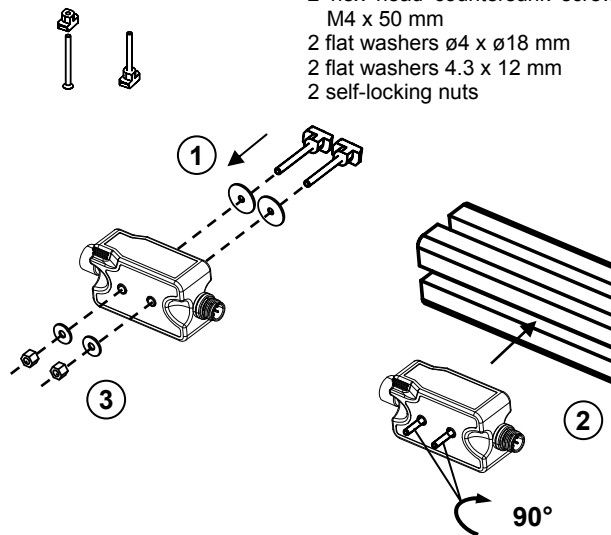


2. Insert the entire assembly onto the 80/20 profile so that the Drop-In T-nuts fit into the profile channel. Tighten the screws. The Drop-In T-nuts will lock into place when tightened.



#### QL Quick Link Series

1. Assemble the hammer-head nuts and hex head countersunk screws to form the two bolts.
2. Place the two large diameter flat washers onto the two bolts and then insert them behind the QL.
3. Place the assembly onto the Bosch profile so that the bolts enter the profile channel and then rotate the bolts **clockwise** 90° so that they lock into place.
4. Install the two small diameter flat washers and fasten the two self-locking nuts until tight.



2 hammer-head nuts  
2 hex head countersunk screws  
M4 x 50 mm  
2 flat washers  $\varnothing 4 \times \varnothing 18$  mm  
2 flat washers 4.3 x 12 mm  
2 self-locking nuts