



Omni-ID® Adept 500

Omni-ID Adept 500 is a small circular UHF hard tag designed for permanent attachment to the shoulder of industrial gas cylinder assets. This RFID tag with its superior on-metal performance formed from durable high performance components, allows both portal and handheld reads in outdoor and harsh industrial environments.

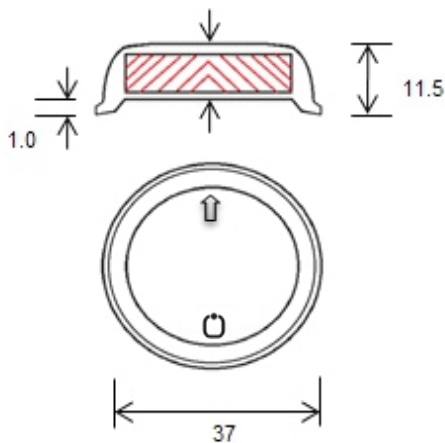
Building Intelligent Supply Chains

With its high performance on metal and highly impact resistant thermoplastic elastomer casing, Omni-ID Adept 500 is ideally suited to industrial gas cylinder assets with radius of curvature greater than 40mm.

- ▶ Gas Cylinders
- ▶ Beverage Kegs

Physical Specifications

Encasement	Durable Thermoplastic Material
Size (mm) (tolerance)	37.0 x 37.0 x 11.5 (+/- 1.0)
Size (in) (tolerance)	1.46 x 1.46 x 0.45 (+/-0.04)
Weight (g)	9.8



Dimensions stated in mm

RF Specifications

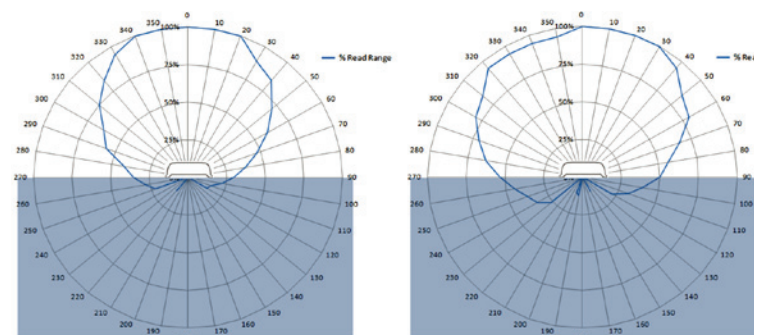
Protocol	EPC Class 1 Gen2
Frequency Range (MHz)	860-940 (GS)
Read Range (Fixed reader) ¹	Up to 5.0m (16.4 ft)
Read Range (Handheld reader) ¹	Up to 5.0m (16.4 ft)
Material Compatibility	Optimized for metal
IC Type (chip)	Alien H3
Memory ²	EPC - 96bits User - 512bits TID - 64bits

1. Quoted performance achieved using standard testing methodology. Read range will vary with reader hardware and output power.

2. EPC and User memory are reprogrammable, TID is locked at point of manufacture.

Radiation Patterns

On Metal sheet



Related Products and Services

- ▶ **Omni-ID Adept 400** - High impact resistance RFID tag for easy strap or adhesive attachment to industrial equipment.
- ▶ **Omni-ID Dura 600** - Small form factor, high impact resistant, on-metal RFID tag for adhesive attachment to industrial assets.
- ▶ **Service Bureau** - Omni-ID offers a full service bureau for printing and pre-encoding Omni-ID tags at point of manufacture.



Environmental Specifications

Operating Temperature	-20 to +65°C
Long term Max Temperature ¹ exposure - (days,weeks,years)	+65°C
Short term Max Temperature ¹ exposure - (minutes,hours)	+75°C
IP Rating	IP68
Shock and Vibration	MIL STD 810-F
Attachment	Adhesive (standard)
Certifications	RoHS approved CE approved ATEX/IECEX certified (option) US&Canada (C1D1/D2) certified (option)
Warranty	3 years

1. Excludes adhesive options, consult adhesive data sheets for recommended temperature ratings.
2. Testing methodology available on request

Ordering Information

Order Numbers	045- US, EU :304 (ATEX/IECEX certified) :307 (US&Canada (C1D1/D2) certified) :701 (Standard Service Bureau) :702 (Custom Service Bureau)
---------------	--



BSR idware GmbH

Jakob-Haringer-Str.3

A-5020 Salzburg

<https://www.bsr.at>

sales@bsr.at



Omni-ID office locations: US | UK | China | India | Southeast Asia
For product or technology inquiries email: sales@omni-id.com