



## Omni-ID Prox® Rigid

Omni-ID Prox Rigid is a small form factor, durable RFID tag for heavy industry and outdoor applications. Omni-ID Prox Rigid features a material agnostic and global design, making it suitable for global asset tracking programs. Encased in a durable Polycarbonate encapsulation, the product is capable of surviving long term use in harsh outdoor environments including applications involving high impact and shock.

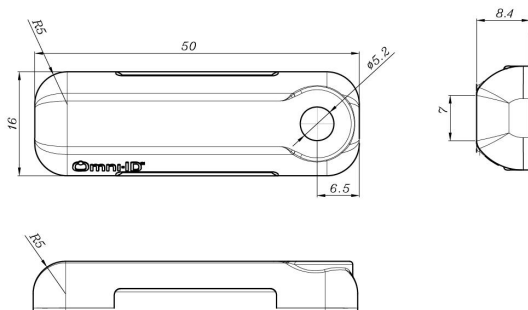
## Applications

With its on and off metal read performance and durable encasement, Omni-ID Prox Rigid is ideally suited to Industrial asset management and equipment rental applications, including:

- ▶ Maintenance for deployed field assets.
- ▶ Rental/contracted equipment tracking.
- ▶ Remote IT and comms infrastructure management.

## Physical Specifications

|                          |                                 |
|--------------------------|---------------------------------|
| Encasement               | Polycarbonate                   |
| Size (mm)<br>(tolerance) | 50 x 16 x 8.4<br>(+/- 1.0)      |
| Size (in)<br>(tolerance) | 1.97 x 0.63 x 0.33<br>(+/-0.04) |
| Weight (g)               | 6.0                             |



Dimensions stated in mm

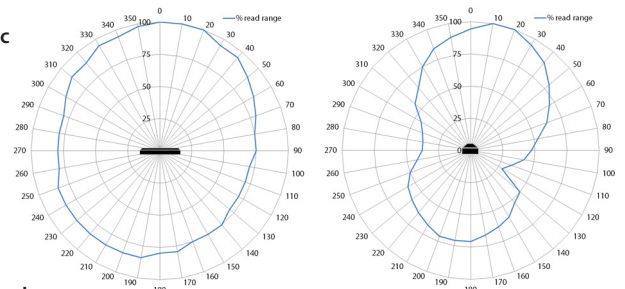
## RF Specifications

|   |  |
|---|--|
| Protocol                                  | EPC Class 1 Gen2                               |
| Frequency Range (MHz)                     | 860–960 (global)                               |
| Read Range (Fixed reader) <sup>1</sup>    | Up to 3.0m (9.8ft)                             |
| Read Range (Handheld reader) <sup>1</sup> | Up to 1.5 (4.9ft)                              |
| Material Compatibility                    | Metal and non-metallic substrates              |
| IC Type (chip)                            | Alien H3                                       |
| Memory <sup>2</sup>                       | EPC - 96bits<br>User - 512bits<br>TID - 64bits |

1. Quoted performance achieved using standard testing methodology. Read range will vary with reader hardware and output power.
2. EPC and User memory are reprogrammable, TID is locked at point of manufacture.

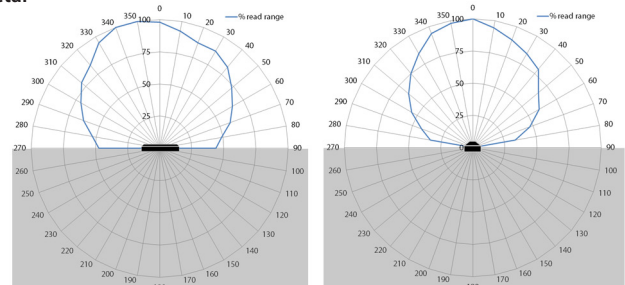
## Radiation Patterns

### On Plastic



### Large Metal

### Sheet



## Related Products and Services

- ▶ **Omni-ID Prox Fi** - Small form factor, global tag in electrically insulated coating for embedding into equipment.
- ▶ **Omni-ID Max SQ-D**- Extreme durability, long range and global operability in a small, square footprint, on metal RFID tag.
- ▶ **Omni-ID IQ Prox Label**- Small, consistent, product for mixed metal and plastic IT asset management environments.
- ▶ **Service Bureau** - Omni-ID offers a full service bureau for printing and pre-encoding Omni-ID tags at point of manufacture.



## Environmental Specification

|   |   |
|---|---|
| Operating Temperature   | -40 to +85 °C   |
| Long term Max Temperature <sup>1</sup><br>exposure - (days,weeks,years) | +85 °C  |
| Short term Max Temperature <sup>1</sup><br>exposure - (minutes,hours)   | +105 °C   |
| IP Rating   | IP68  |
| Shock and Vibration   | MIL STD 810-F   |
| Impact  | 25kg from 1m  |
| Attachment  | Manual (std)<br>Film adhesive (option)<br>Standard foam adhesive (option)<br>Premium foam adhesive (option) |
| Certifications  | RoHS approved<br>CE approved<br>ATEX/IECEX certified (option)<br>US&Canada (C1D1/D2) certified (option)     |
| Warranty  | 3 years   |

1. Excludes adhesive options, consult adhesive data sheets for recommended temperature ratings.

## Ordering Information

|               |  |
|---------------|--|
| Order Numbers | 023- GS<br>:304 (ATEX/IECEX certified)<br>:307 (US&Canada (C1D1/D2) certified)<br>:502 (std. film)<br>:507 (std. foam),<br>:508 (premium foam)<br>:701 (Standard Service Bureau)<br>:702 (Custom Service Bureau) |
|---------------|--|

For more information, contact:

### Omni-ID Corporate Headquarters:

1200 Ridgeway Ave  
Rochester, NY 14615 USA

### European Office:

The Enterprise Centre  
Coxbridge Business Park  
Alton Road, Farnham, Surrey  
GU10 5EH, United Kingdom

### Asia Office:

Process Export zone  
East of Road No.4 and South of Road No.2  
Chengyang District  
Qingdao  
266113, P.R. China

For product or technology inquiries:  
Email [customer.services@omni-id.com](mailto:customer.services@omni-id.com)

032012



**BSR idware GmbH**  
Jakob-Haringer-Str.3  
A-5020 Salzburg  
Web: [www.bsr.at](http://www.bsr.at)

