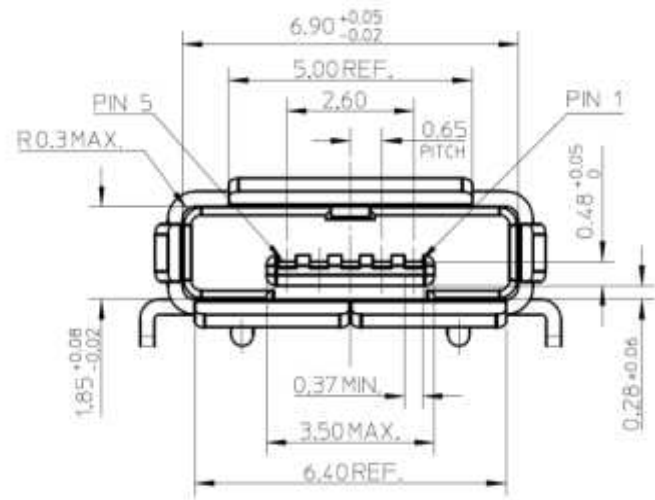


PIN definition	Function	Description	Note
1	Pack+	Battery pack anode	
2	I2C	SDA	It is used to communicate with battery to get capacity.
3	I2C	SCL	It is used to communicate with battery to get capacity.
4	Thermal pin	To detect the battery's cell temperature	
5	Pack-	Battery pack cathode	

PIN No.	PIN definition
1	DC Power
2	GND



PIN No.	PIN definition
1	OTG_VBUS(X)
2	NC
3	NC
4	NC
5	OTG_GND(X)



**BSR idware GmbH**  
 Jakob-Haringer-Str.3  
 A-5020 Salzburg  
 Web: www.bsr.at